



E-PTZ448-Z32^{ELITE}

4MP Network PTZ Camera



Accessories

Included:

PFB305W



DC24V / 2.5A



Optional:

PFA111



PFA140



PFB300C



PFB301C



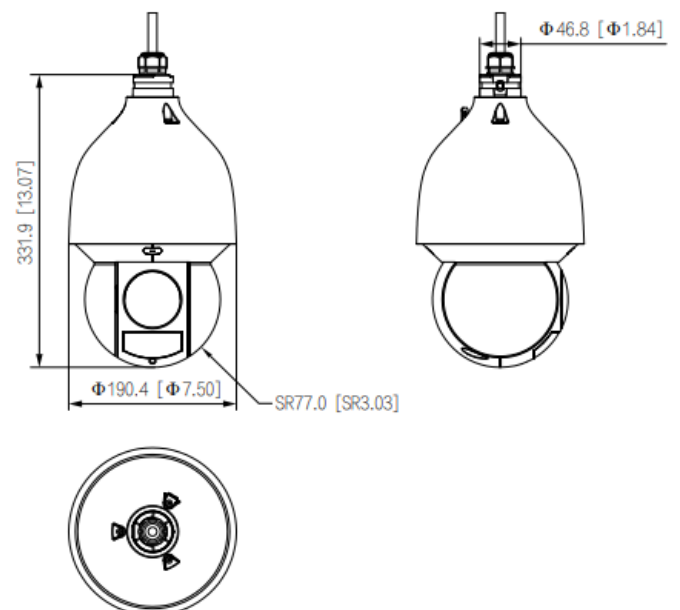
PFA120



PFA150



Dimensions mm (inch)



Installation Method

Wall Mount	Ceiling Mount	Ceiling Mount
PFB305W+PFA120	PFA111+PFB300C	PFA111+PFB301C
Pole Mount (Vertical)	Corner Mount	Pole Mount (Horizontal)
PFB305W+PFA150	PFB305W+PFA151	PFA111+PFB300C+PFA150

Technical Specification

Camera

Image Sensor	1/2.8" CMOS
Pixel	4 MP
Max. Resolution	2560 (H) × 1440 (V)
ROM	4 GB
RAM	1 GB
Electronic Shutter Speed	1/1 s–1/30,000 s
Scanning System	Progressive
Min. Illumination	Color: 0.005 lux@F1.6 B/W: 0.0005 lux@F1.6
Illumination Distance	150 m
Illuminator On/Off Control	Zoom Prio; Manual; Smart IR
Illuminator Number	4 (IR)

Lens

Focal Length	4.8 mm–154 mm								
Max. Aperture	F1.6–F4.0								
Field of View	H: 55.8°–2.4°; V: 31.9°–1.3°; D: 63.7°–2.7°								
Optical Zoom;	32×								
Focus Control	Auto; semi-auto; manual								
Close Focus Distance	0.8 m–5.0 m								
Iris Control	Fixed								
DORI Distance	<table border="1"> <tr> <td>Detect</td> <td>Observe</td> <td>Recognize</td> <td>Identify</td> </tr> <tr> <td>2 124 m</td> <td>839 m</td> <td>425 m</td> <td>212 m</td> </tr> </table>	Detect	Observe	Recognize	Identify	2 124 m	839 m	425 m	212 m
Detect	Observe	Recognize	Identify						
2 124 m	839 m	425 m	212 m						

PTZ

Pan/Tilt Range	Pan: 0° to 360° endless Tilt: –15° to +90°, auto flip 180°
Manual Control Speed	Pan: 0.1°/s–300°/s Tilt: 0.1°/s–200°/s
Preset Speed	Pan: 400°/s; Tilt: 300°/s
Preset	300
Tour	8 (up to 32 presets per tour)
Pattern	5
Scan	5
Power-off Memory	Yes
Idle Motion	Preset; Pattern; Tour; Scan
PTZ Protocol	DH-SD Pelco-P/D (auto recognition)

Intelligence

IVS (Perimeter Protection)	Tripwire; intrusion; climbing fences; loitering detection; abandoned/missing object; fast moving; parking detection; people gathering; vehicle/human alarm classification
Auto Tracking	Yes
Quick Pick	With AI NVR, quickly pick up the human/vehicle targets that users are interested in from SMD events.
SMD	Yes

Face Detection	Supports face detection, face bounding box, capturing snapshots, uploading face snapshots, enhancing face images, and selecting a preferred image among a group of snapshots. Attribute Extraction is also supported, where 6 attributes and 8 expressions can be detected. The attributes are gender, age, glasses, mask, mustache and expressions. The expressions are angry, sad, hate, scared, surprised, calm, happy and confused. Face cutout is also offered, where you can cutout one face at a time and customize the size to be a one-inch photo. The supported methods for capturing snapshots are real-time capturing, quality first, and selecting a preferred image among a group of snapshots.
----------------	---

Video

Video Compression	Smart H.265+; H.265; Smart H.264+; H.264; H.264B; H.264H; MJPEG (Sub Stream 1)
Streaming Capability	3 streams
Resolution	4M (2560 × 1440); 3M (2048 × 1536); 1080p (1920 × 1080); 720p (1280 × 720); D1 (704 × 576/704 × 480); CIF (352 × 288/352 × 240)
Video Frame Rate	Main stream: 4M/3M/1080p/1.3M/720p (1–25/30 fps) Sub stream 1: D1/CIF (1–25/30 fps) Sub stream 2: 1080p/1.3M/720p (1–25/30 fps)
Bit Rate Control	CBR/VBR
Video Bit Rate	H.264: 3 kbps–20480 kbps H.265: 3 kbps–20480 kbps
Day/Night	Auto (ICR)/Color/B/W
BLC	Yes
WDR	120 dB
White Balance	Auto; indoor; outdoor; tracking; manual; sodium lamp; natural light; street lamp
Gain Control	Auto; manual
Noise Reduction	2D NR; 3D NR
Motion Detection	Yes
Region of Interest (RoI)	Yes
Image Stabilization	Electronic (EIS)
Defog	Electronic
Digital Zoom	16×
Image Rotation	180°
Privacy Masking	Up to 24 areas can be set, with up to 8 areas in the same view
S/N Ratio	≥ 55 dB

Audio

Audio Compression	PCM; G.711a; G.711Mu; G.726; MPEG2-Layer2; G722.1; G729; G723
-------------------	---

Technical Specification

Network

Network Port	RJ-45 (10/100 Base-T)
Network Protocol	HTTP; HTTPS; IPv4; RTSP; UDP; SMTP; NTP; DHCP; DNS; DDNS; IPv6; 802.1x; QoS; FTP; UPnP; ICMP; SNMP; SNMP v1/v2c/v3 (MIB-2); IGMP; ARP; RTCP; RTP; PPPoE; RTMP; TCP
Interoperability	ONVIF (Profile S&G&T); CGI
Streaming Method	Unicast/Multicast
User/Host	20 (total bandwidth: 64 M)
Storage	FTP; Micro SD card (512 GB); NAS
Browser	IE 7 and later versions Chrome 42 and earlier versions Firefox 52 and earlier versions Safari
Management Software	Smart PSS; DSS; EasyViewer Pro; Easy4ip; IVSS
Mobile Client	iOS; Android

Certification

Certifications	CE: EN55032/EN55024/EN50130-4 FCC: Part15 subpartB, ANSI C63.4-2014 UL: UL60950-1+CAN/CSA C22.2, No.60950-1
----------------	--

Port

Alarm I/O	2/1
Audio I/O	1/1
Two-way Audio	Yes
Alarm Linkage	Capture; preset; tour; pattern; recording; triggering on-off value output; audio; send email
Alarm Event	Motion/tampering detection; audio detection; network disconnection detection; IP conflict detection; memory card state detection; memory space detection; power exception detection

Power

Power Supply	24 VDC, 2.5 A (± 25%) PoE +(802.3at)
Power Consumption	Basic: 13 W Max.: 22 W (illuminator + PTZ working)

Environment

Operating Temperature	-40 °C to +70 °C
Operating Humidity	≤95%
Protection	IP67; IK10; TVS 6000 V lightning proof; surge protection; voltage transient protection

Structure

Product Dimensions	332 mm × Φ190 mm
Net Weight	4,7 kg
Gross Weight	8,0 kg